

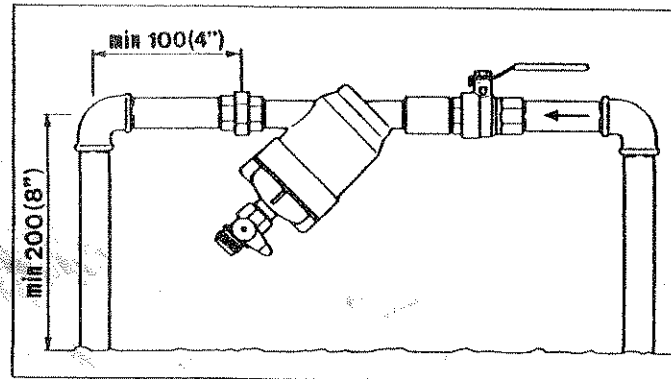
INSTALLATION AND MAINTENANCE INSTRUCTIONS

1"-Super Filters (112-00)

Thank you for selecting an Amiad filter. This filter has been designed to provide years of trouble free service. Please familiarize yourself with these instructions to ensure correct and reliable operation.

INSTALLATION

1. It is recommended to use plastic connectors when installing the filter onto metal pipes.
2. Use only teflon or silicon sealing material on the inlet/outlet connections. Do not use any sealing material on the plastic ball valve connection to the filter port drain. (SCREEN FILTER ONLY) This is a compression type fitting and does not require any sealing material.
3. Install a shut-off valve prior to the filter to permit cleaning.
4. It is recommended that the filter be installed with the housing downward. The filter must be installed according to the direction of water flow as shown.



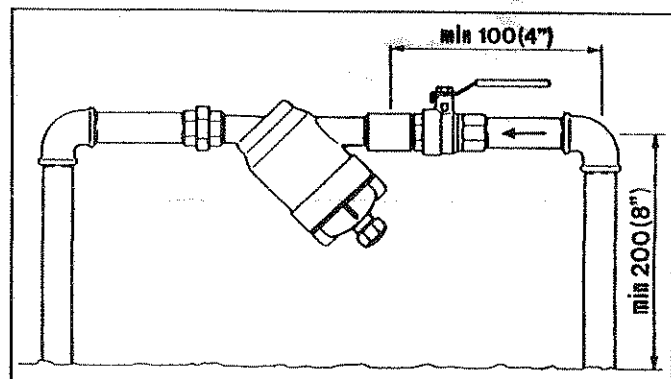
SCREEN CYLINDER
(INSIDE TO OUTSIDE FLOW)

NOTE:

This filter is available with a Screen Cylinder or Disc Element. Be sure the direction of flow is inside/out for the Screen Cylinder and outside/in for the Disc Element. Improper flow direction or backwash through a screen may damage the filter element. See drawing.

CLEANING

The filter requires cleaning when pressure drop between the inlet and outlet reaches 0.5-0.6 bar (7-8 psi).



DISC ELEMENT
(OUTSIDE TO INSIDE FLOW)

WARNING: NEVER OPEN THE FILTER WHILE UNDER PRESSURE!

1. Close the water supply to the filter and release pressure from the filter by opening the drain valve.
2. Unscrew the filter housing to remove the filter element.
3. **Screen Cylinder:** Rinse the screen with water. Use a soft brush for hard-to-remove particles. Do not use a metal brush or damage may result.
Disc Element: Twist the disc element core at each end and unscrew in a counter-clockwise rotation to expand and loosen the discs. Rinse along the disc edges to cause a spinning action. Hand tighten the disc element core after cleaning.
4. Insert the filter element into the housing. Verify the housing and element seals are in place. Screw on the filter housing, tightening completely, then back-off 1/8 turn for proper sealing.
5. Close the drain valve and open the inlet valve to pressurize the filter. Check and correct any leaks.

PARTS SCHEDULE

1"-SUPER FILTERS (112-00)

Ref. 92-112-00-1 / 6.95

No.	Description	Cat. No.	No.	Description	Cat. No.
1	1"-S Housing	112-9030-020	4	Nylon screen	112-9007-XXX
2	Lid assembly	112-900-010	4.1	O-Ring (P2-227)	112-9004-002
2.1	O-Ring - (P2-232)	112-9004-001	5	Grooved disc element	112-9047-XXX
2.2	Lid without O-Ring	N-A	5.1	O-Ring (P2-227)	112-9004-002
3	3/4" Ball valve	901	6	3/4" Cap	841-0

